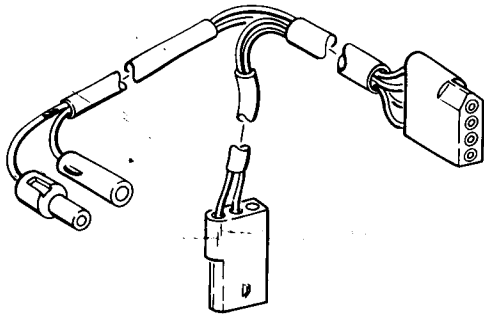


CHECK THE PARTS RECEIVED IN THE KIT WITH THE PARTS LIST IN THESE INSTRUCTIONS. FIGURE 1 SHOWS ALL THE PARTS IN THE KIT. IF ANY PARTS ARE MISSING, CONTACT NATIONAL VENDORS' PARTS DEPARTMENT IMMEDIATELY.

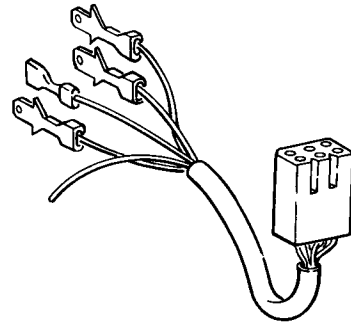
This kit contains the following:

WARNING

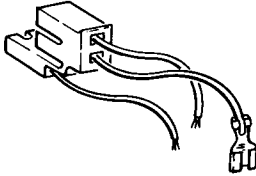
Part Number	Description	Quantity	Before attempting the installation of this Kit, make sure the Main Switch is in the OFF position.
6154271	Installation Instructions	1	
2204513	Self Clinching Wire Tie	10	
2221049	5/16" Dia. Wire Clamp	2	A. PARTS REMOVAL
3102491	1/2" Dia. Wire Clamp	1	1. Remove the Cup Delivery Compartment.
4042121	Self Clinching Wire Tie	4	2. Disconnect the wiring to the Coffee Hopper and remove the Hopper. See Figure 2.
4047052	187 Series Faston Receptacle Housing	2	3. Remove the Brewer Cover.
6132208	No.558 Scotch Lok Tap Splice	4	4. Disconnect the three hoses to the Brewer Assembly. Release the latch and remove the Brewer.
6134233	Brewer Cover Mounting Screw	2	5. Remove the Deflector Tray and the two screws.
6137041	Canister Knurl Nut	2	6. Disconnect the wiring to the Brewer Module Assembly. Loosen the four bolts that attach the assembly to the cabinet wall and remove the assembly.
6154259	Funnel	1	
6154263	Door to Cabinet and Timer Harness	1	
6154265	Decaf Switch "A" Adaption Jumper	1	
6154266	Decaf Switch "B" Adaption Jumper	1	
6154268	Dual Brewer Harness	1	
6154273	Dual Brew Jumper Plug	1	
6154274	Dual Brew Jumper Receptacle	1	
6157066	Dual Brew Shelf Assembly	1	B. MODIFYING THE BREWER MODULE ASSEMBLY
6157071	Dual Brew Coffee Canister Assembly	1	1. Remove the Coffee Hopper locating pins. See Figure 3.
6157073	Dual Brew Decaf Canister Assembly	1	2. Remove the Coffee Drop Funnel. Save the two screws for use in mounting the new funnel.
9900174	No.8-32 x 5/16" Round Head Screw	3	3. Remove the Hopper Motor Assembly.
6154276	Dual Brew Display Label	1	
3607306	Tube	1	



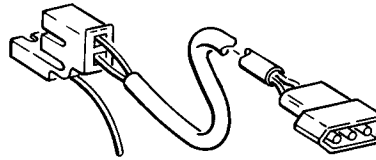
DOOR TO CABINET
AND TIMER HARNESS
6154263 (1)



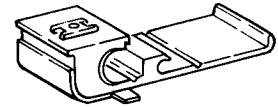
DUAL BREWER
HARNESS
6154268 (1)



DECAF SWITCH "A"
ADAPTION JUMPER
6154265 (1)



DECAF SWITCH "B"
ADAPTION JUMPER
6154266 (1)



NO. 558 SCOTCH LOK
TAP SPLICE
6132208 (4)



SELF-CLINCHING
WIRE TIE (max. bundle 1 1/8")
2204513 (10)



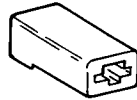
NO. 8-32 X 5/16"
ROUND HEAD SCREW
9900174 (3)



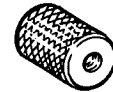
BREWER COVER
MOUNTING SCREW
6134233 (2)



SELF-CLINCHING
WIRE TIE (max. bundle 5/8")
4042121 (4)



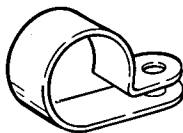
187 SERIES FASTON
RECEPTACLE HOUSING
4047052 (2)



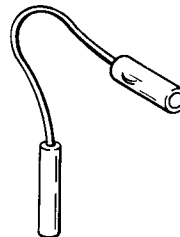
CANISTER
KNURL NUT
6137041 (2)



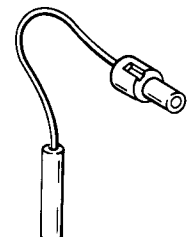
5/16" DIA. WIRE CLAMP
2221049 (2)



1/2" DIA. WIRE CLAMP
3102491 (1)

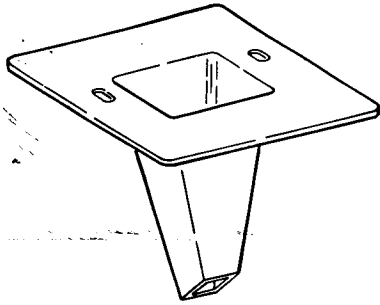


DUAL BREW
JUMPER RECEPTACLE
6154274 (1)

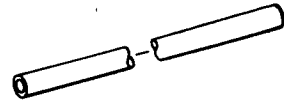


DUAL BREW
JUMPER PLUG
6154273 (1)

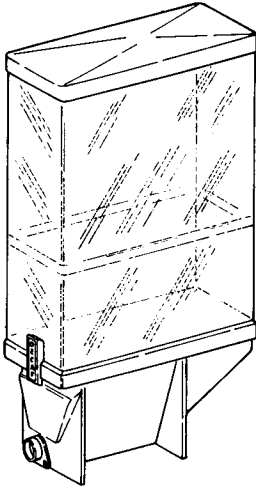
Figure 1 (1 of 2)



FUNNEL
6154259 (1)



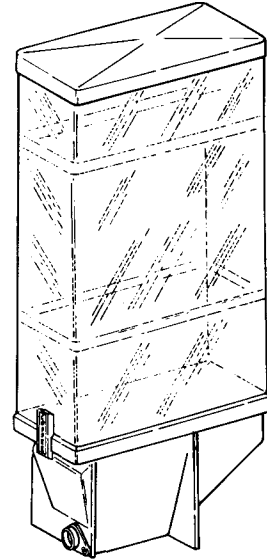
TUBE
3607306 (1)



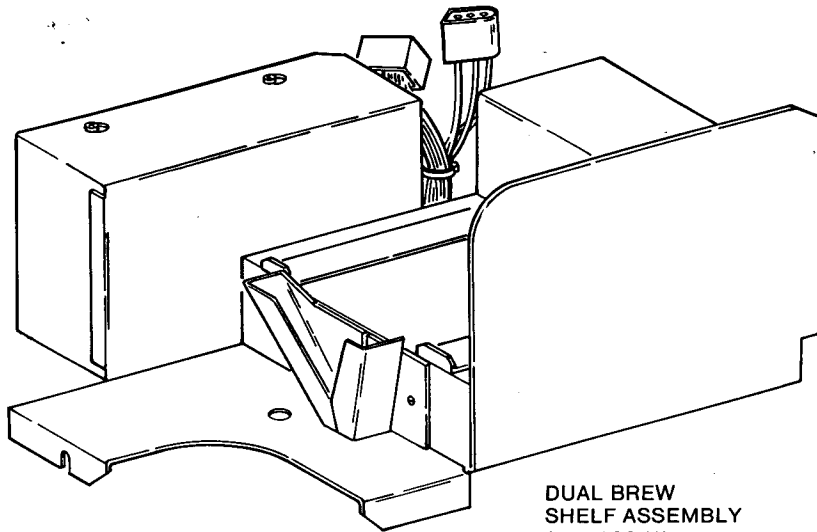
DECAF FRESH BREW
CANISTER ASSEMBLY
6157073 (1)



DUAL BREW
DISPLAY LABEL
6154276 (1)



COFFEE FRESH BREW
CANISTER ASSEMBLY
6157071 (1)



DUAL BREW
SHELF ASSEMBLY
6157066 (1)

Figure 1 (2 of 2)

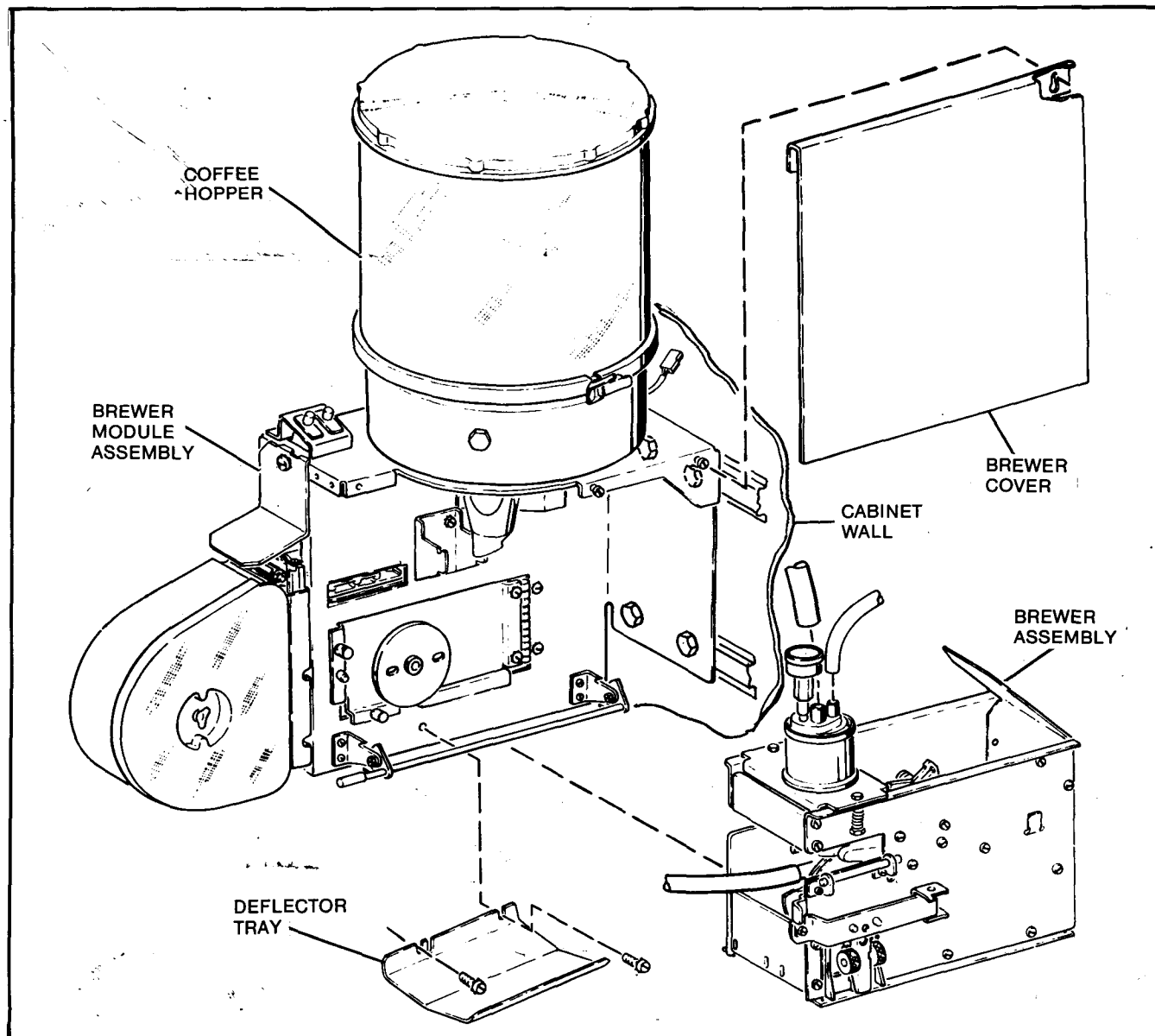


Figure 2

4. Remove the Template Sheet from the Kit Instructions. (last page) Cut out the solid areas. Place the template over the Hopper Mounting Plate and match like areas. See Figure 4. After the template is in position, tape it in place.

5. Use a punch to mark the holes indicated by numbers 1 and 2. Scribe a line to mark the area indicated by number 3. Remove the template and follow the instructions outlined on the template sheet.

6. After completing step 5, use two of the 9900174 Round Head Screws to tap through the two .136/.144 drilled holes. Remove these screws and replace them with two 6134233 Mounting Screws.

C. MODIFYING THE CABINET HARNESS

Remove the two screws and wire clamps holding the Cabinet Harness to the Timer Assembly. Disconnect J14 from P14. See Figure 6. Locate wire RED 3 which terminates at the No.3 position on the J14 connector.

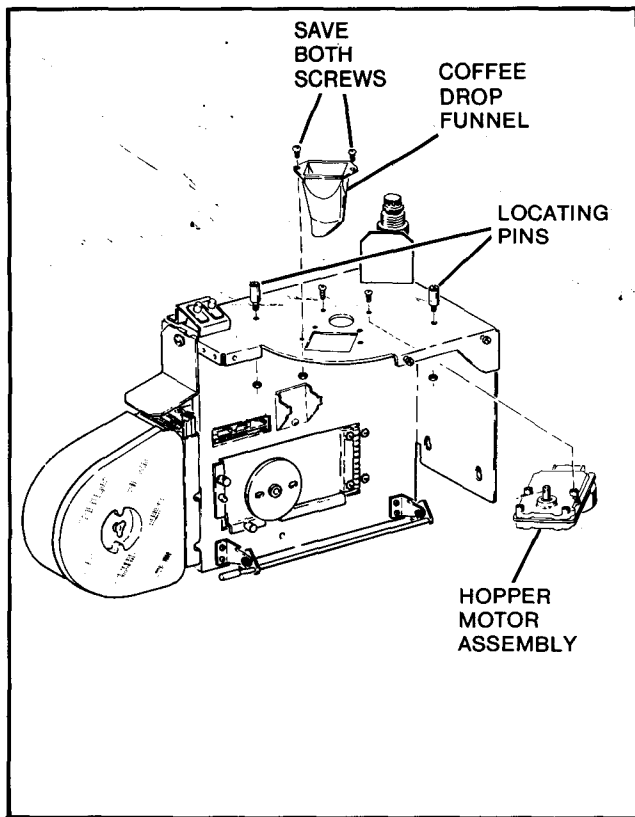


Figure 3

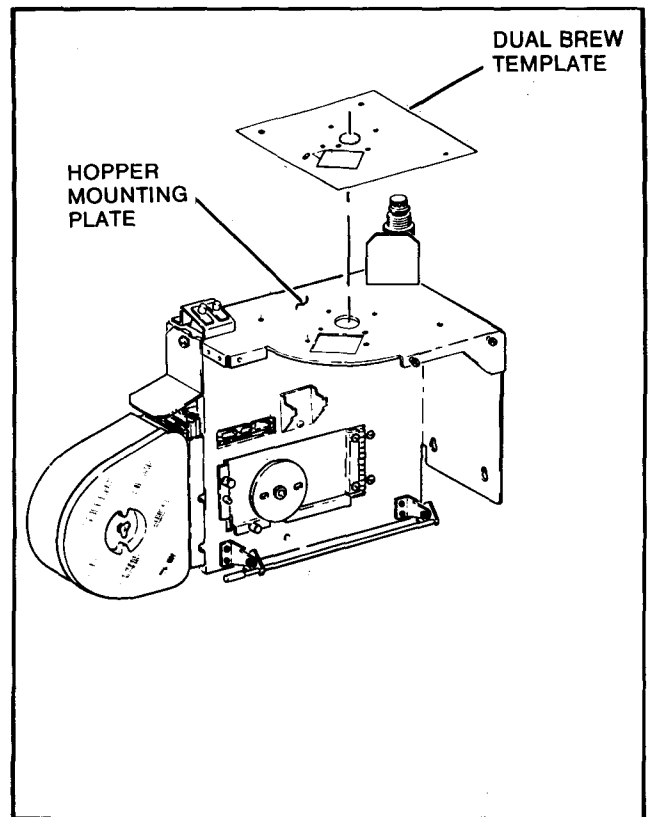


Figure 4

Pull on the wire until enough slack can be taken up to identify this wire at the upper rear left hand corner of the cabinet. Cut the wire and splice in the two jumpers as shown on Figure 5.

D. INSTALLATION

1. Install the following by referring to Figure 5 and Figure 6.
 - a. Door to Cabinet and Timer Harness.
 - b. Dual Brewer Harness.
 - c. Decaf Switch "A" Jumper.
 - d. Decaf Switch "B" Jumper.
2. Add wire ties and wire clamps where indicated and as required. All wiring should be secured to prevent any interference with other equipment. See Figure 6.
3. Install the new Coffee Drop Funnel. Use the two screws saved in step B2 and the two 6137041 Knurl Nuts. See Figure 7.
4. Replace the Brewer Module Assembly.

5. Replace the Brewer Assembly.

6. Replace the hoses previously removed in step A4. Replace the hose from the Vent Valve to the Brew Barrel with the hose included in the kit. Part Number 3607306.
7. Install the Dual Brew Shelf Assembly over the two added Mounting Screws and secure with the remaining 9900174 Round Head Screw. See Figure 8.
8. Install the Coffee Fresh Brew and Decaf Fresh Brew Canister Assemblies.
9. Check all wire connections, hoses, and equipment.
10. Place the Dual Brew Display Label on the front of the Cabinet Door as shown on Figure 9.
11. Move the Main Switch to the ON position. Make several test vends before placing the Merchandiser back into service.

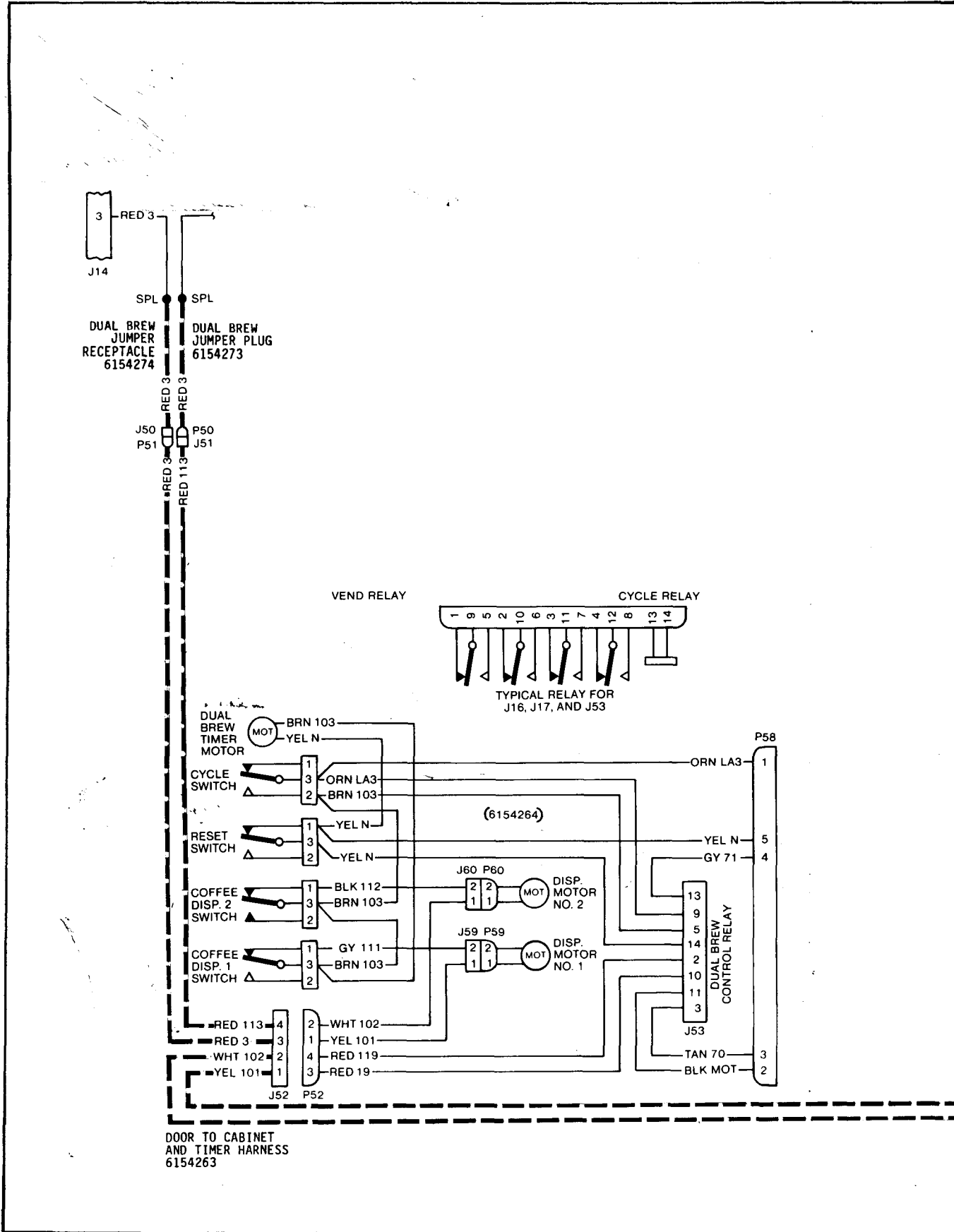


Figure 5 (1 of 2)

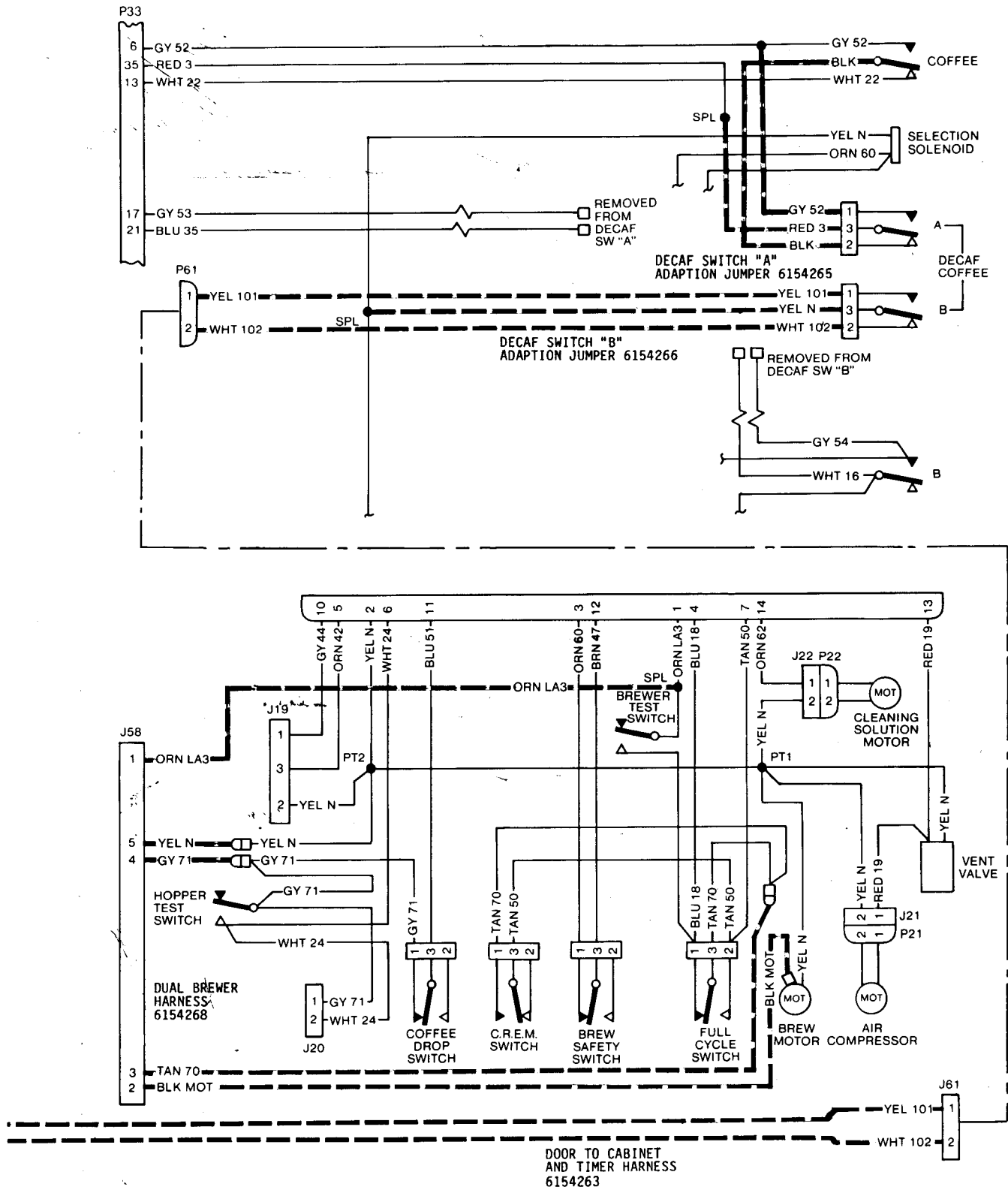


Figure 5 (2 of 2)

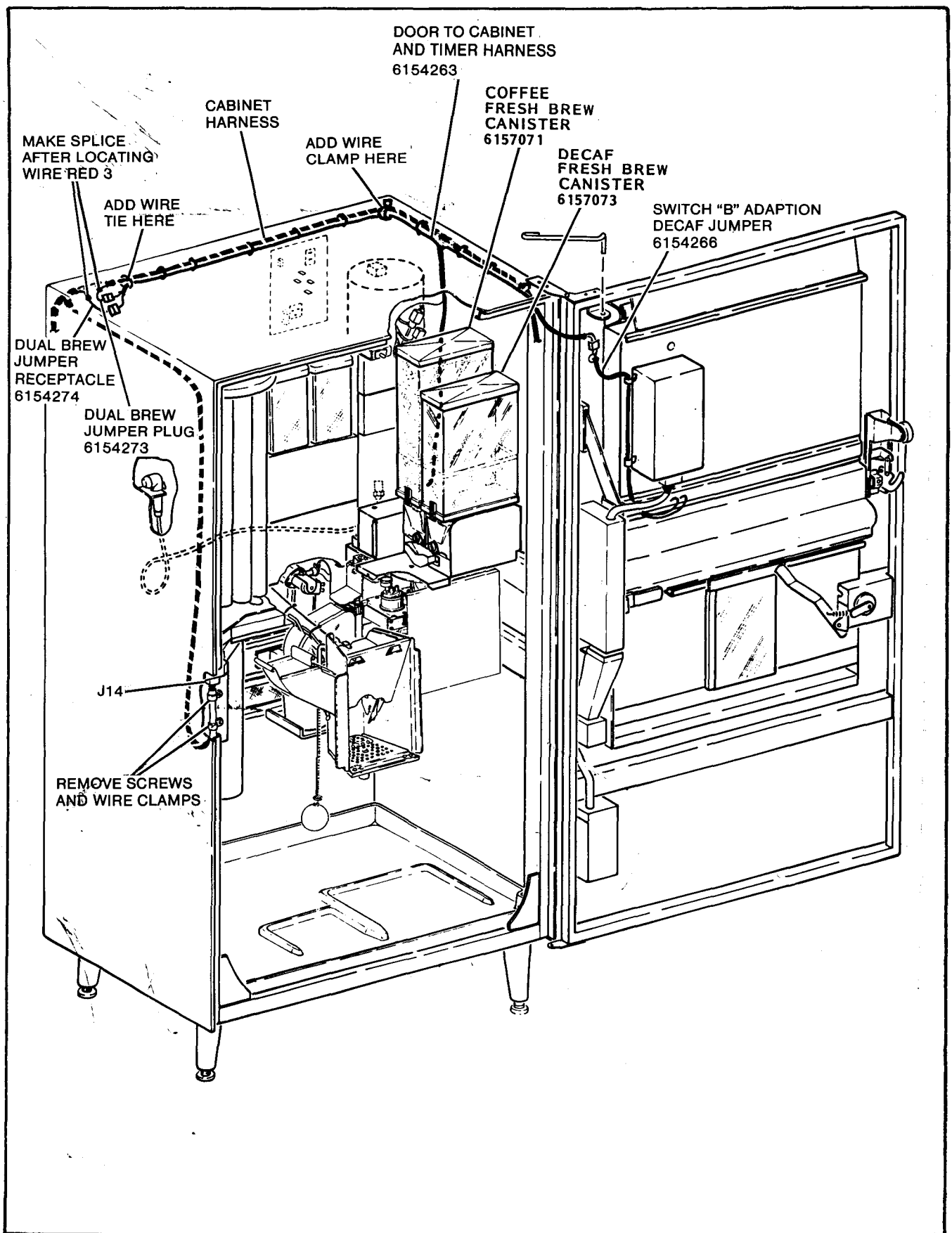


Figure 6

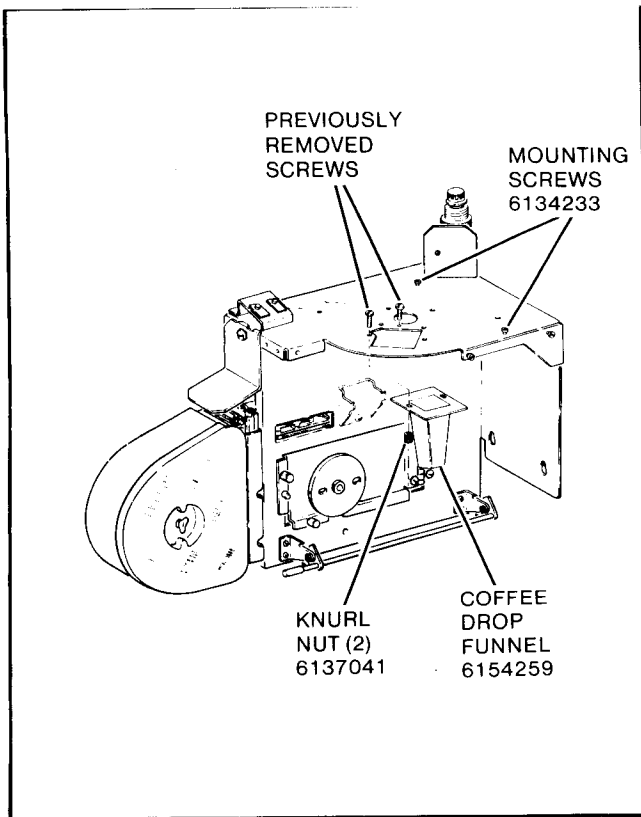


Figure 7

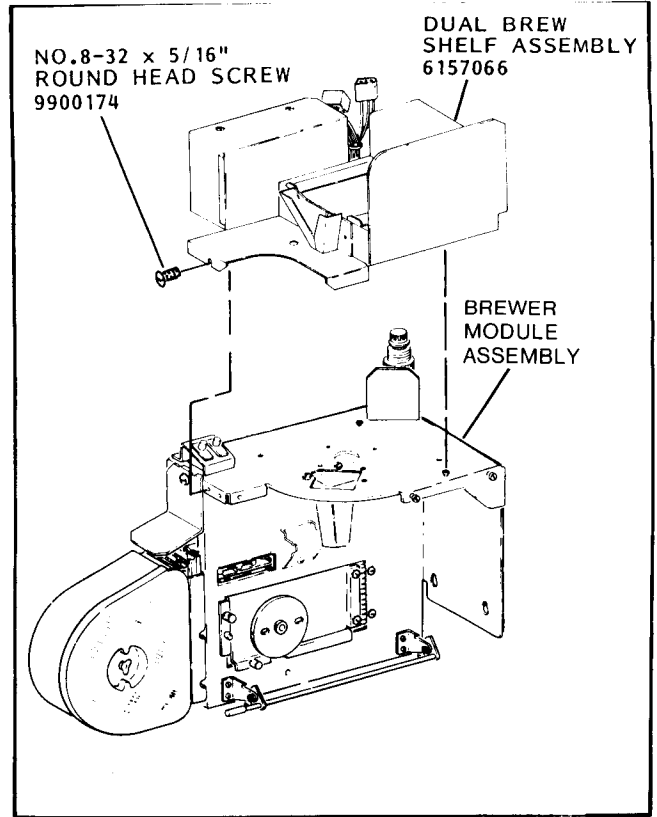


Figure 8

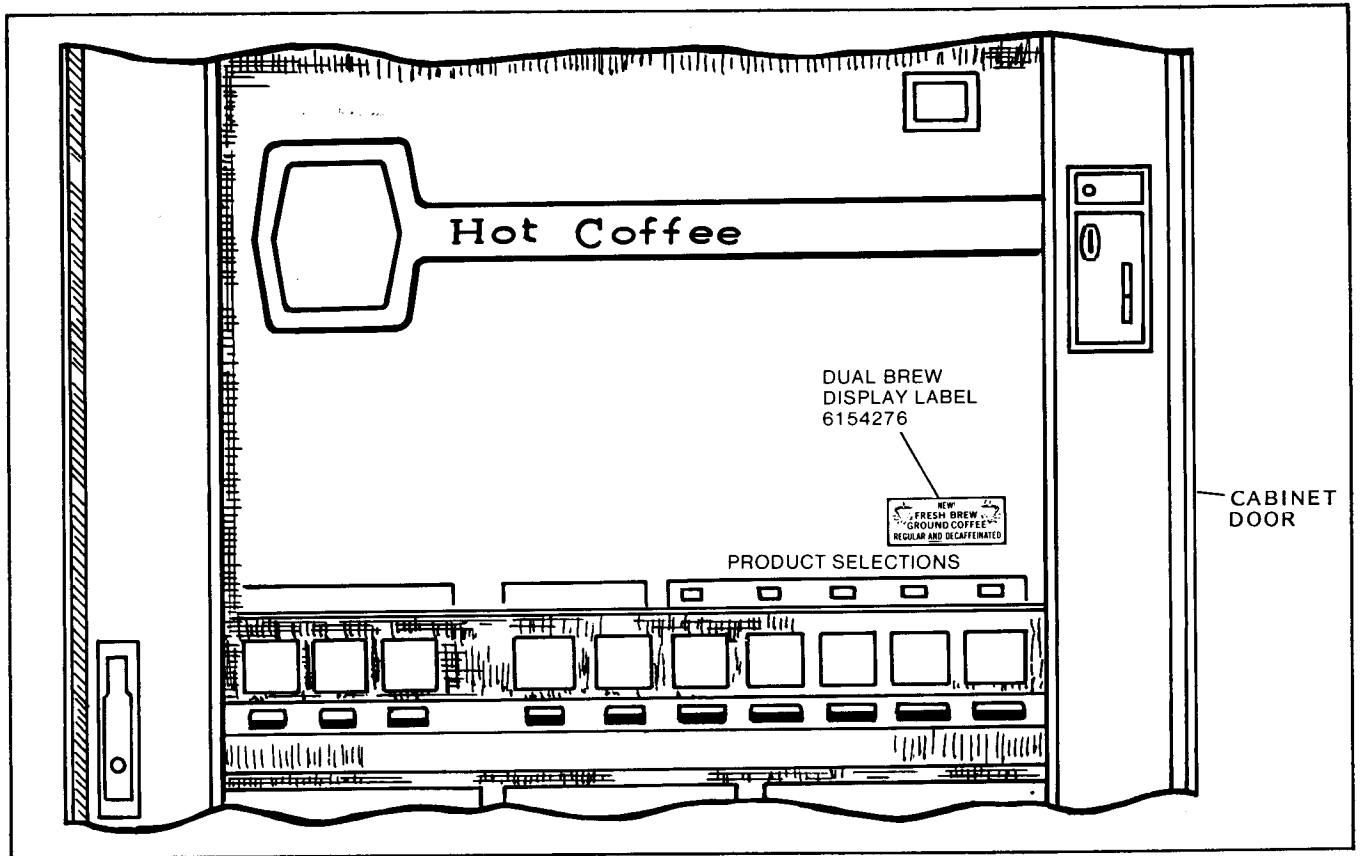
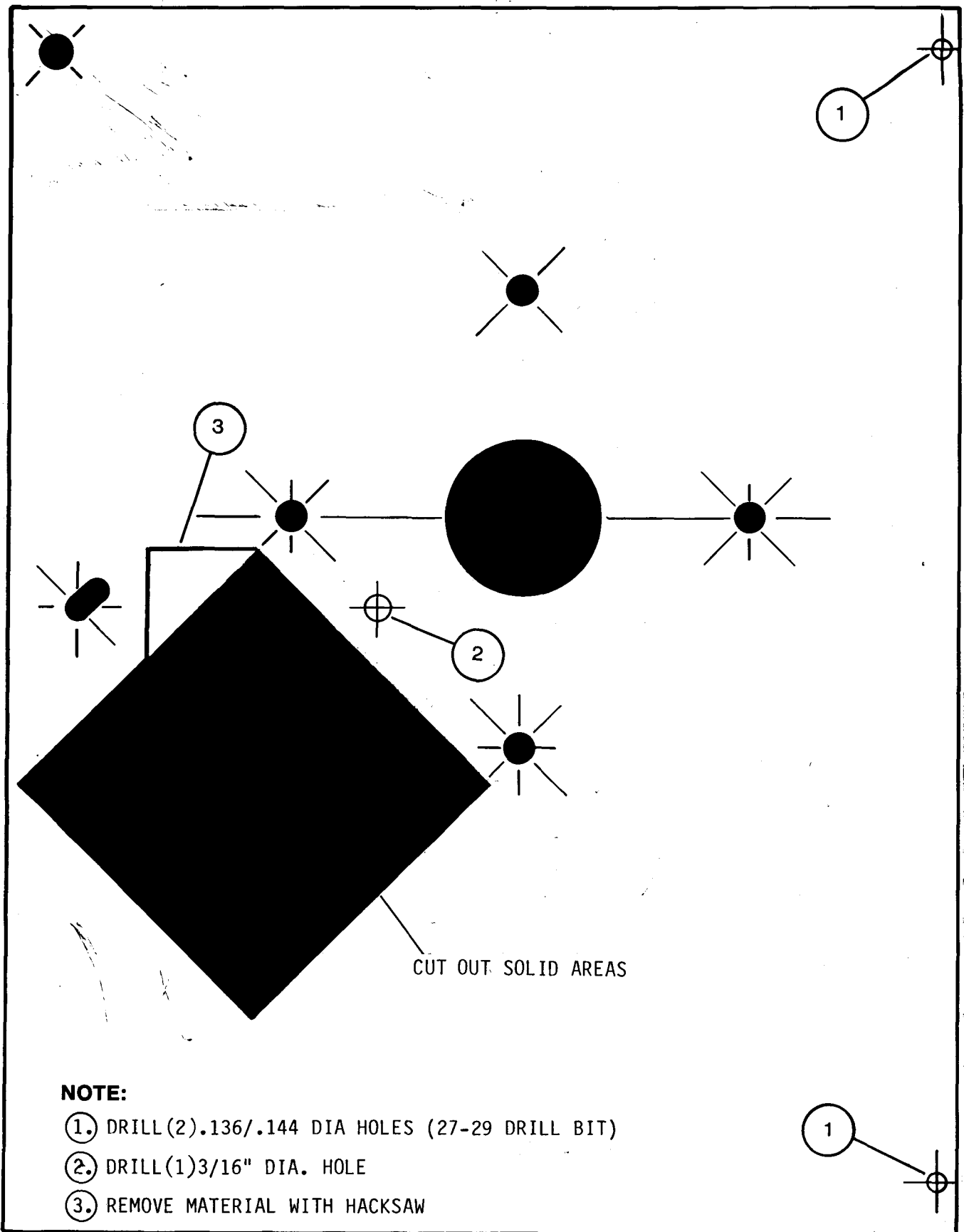


Figure 9



DUAL BREW TEMPLATE